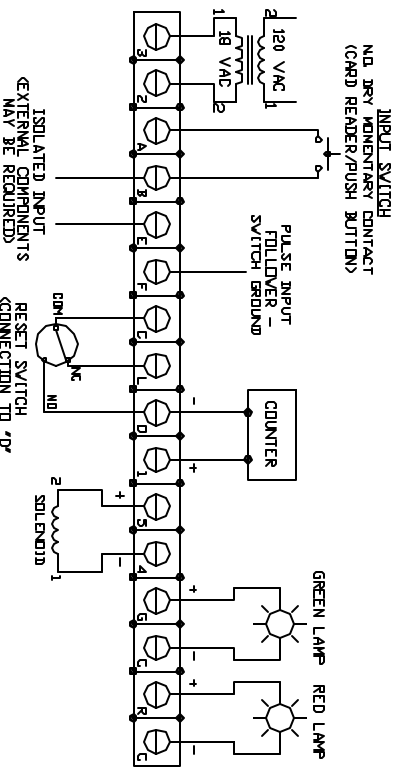


FUNCTIONAL OPTIONS	CUT JUMPER	TIMER BOARD RED JUMPER
FAIL LOCKED	RED	CUT YELLOW JUMPER OR REMOVE JP1 *
FAIL SAFE	GREEN	
TIMED OUTPUT		X

INPUT OPTIONS	TERMINAL SCREWS	A & B	INPUT BOARD RED CUT BLUE JUMPER OR REMOVE JP *	CUT BLACK JUMPER	CHANGE RELAY R11	ADD CAPACITOR C12
DRY CONTACTS						
MAINTAINED			X			
WET CONTACTS		B(+) & E(-)	X	X		
LESS THAN 24V		B(+) & E(-)	X	X	X	
AC VOLTAGE		B(+) & E(-)	X	X		X

AUXILIARY OUTPUT OPTIONS	24VDC WET OUTPUT	DRY OUTPUT	INPUT BOARD RED CUT BLUE JUMPER OR REMOVE JP2 *
FOLLOW INPUT PULSE	I(-) & F(ND-)		X
FOLLOW OUTPUT RELAY	JUMPER C & COM, I(-) & NC(-) OR NC(-)	COM. & NC OR ND	
FOLLOW RESET SWITCH	I(-) & D(ND-)		

*WHEN AN INPUT BOARD IS USED WITH A TIMER BOARD, INSTALL A JUMPER BETWEEN THE TWO HEADER PINS ON THE TIMER BOARD.



INPUT SWITCH
NO. 18V MOMENTARY CONTACT
(CARD READER/PUSH BUTTON)

PULSE INPUT
FOLLOWER -
SWITCH GROUND

COUNTER

GREEN LAMP

RED LAMP

AUXILIARY
OUTPUTS

- I
- COM
- ND
- NC

*PLEASE NOTE THAT SOME BOARDS
HAVE BEEN MARKED INDIRECTLY.
THESE MARKINGS ARE NOT
FROM THIS DRAWING. THE
FROM THE BOTTOM IS SHOWN
ABOVE.

TO USE
CUT OR REMOVE JUMPER

RED
GREEN
YELLOW OR JP1
BLUE OR JP2
BLACK

ISOLATED INPUT
EXTERNAL COMPONENTS
MAY BE REQUIRED

RESET SWITCH
(CONNECTION TO 'CP'
REQUIRED FOR TIMER
BOARD OR COUNTER)

POWER SUPPLY:

3 & 2 - 18VAC TRANSFORMER POWER SUPPLY INPUT
A OR 1 (+) & C OR 4 (-) - 24VDC POWER SUPPLY
OUTPUT.

TOLERANCES EXCEPT AS NOTED		REVISIONS		DRAWING NO.	
NO.	DATE	BY	CAUSE	NO.	DATE
1	000000			04	1000
2					
3					
4					
5					
6					



041000