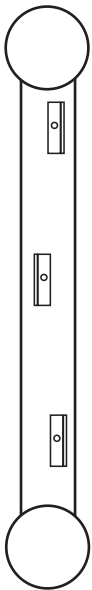
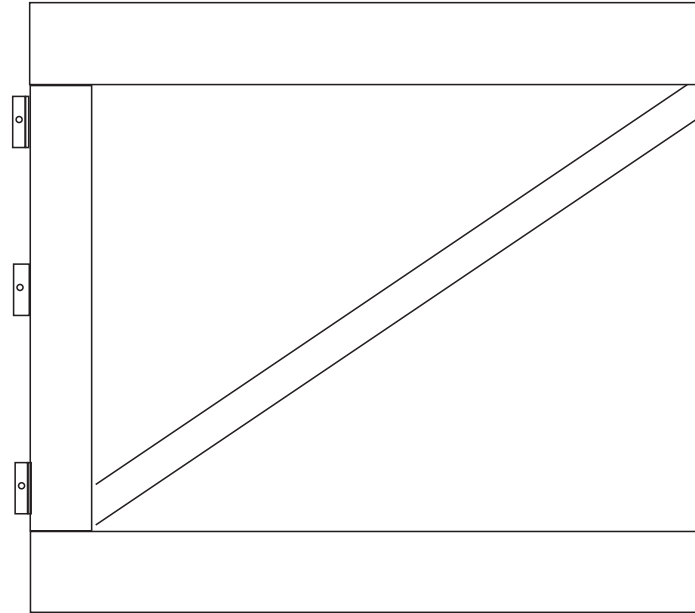
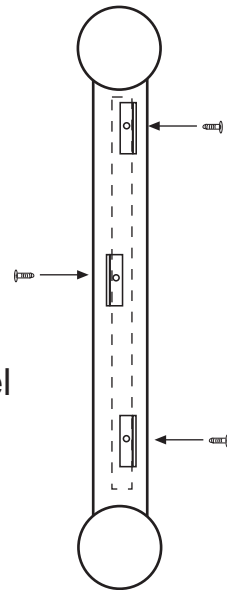


Mounting a Safety Bump Edge

Weld (on pipe frame gates) or attach with screws (on aluminum or square frame gates) 3 - 1 x 1 angle clips.



One clip should face the opposite direction as the other two. Be sure to use the edge mounting channel as a guide to get the proper spacing.



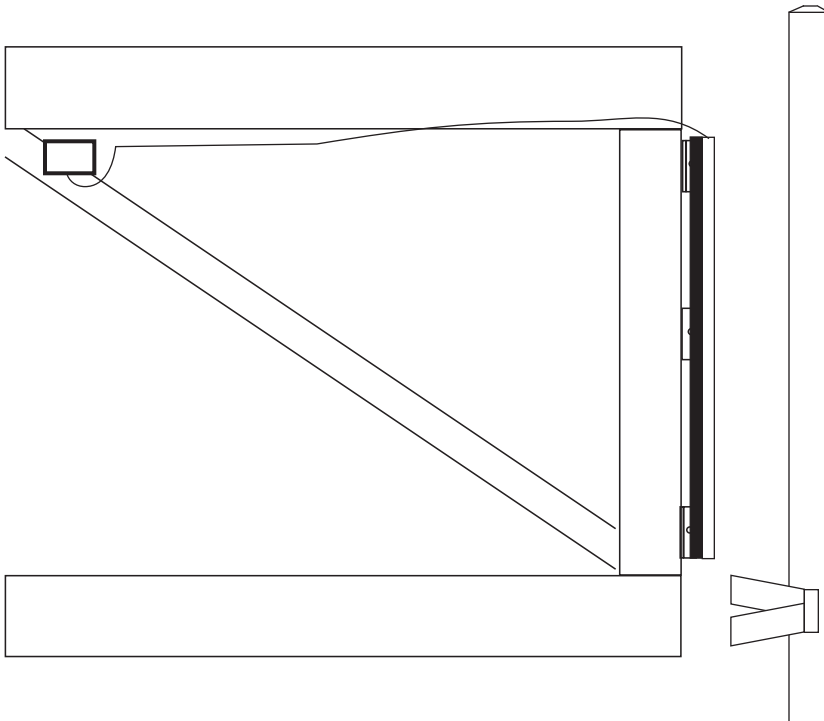
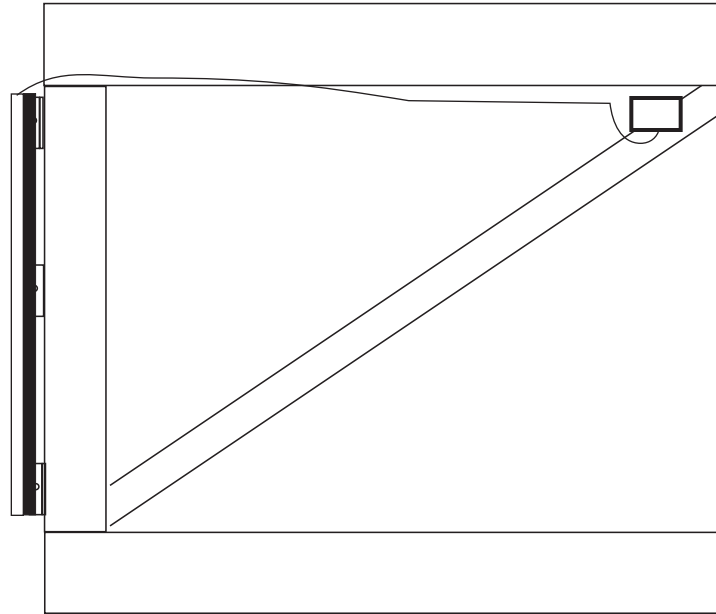
Attach the safety edge in the mounting channel to the clips with self drilling / tapping screws.



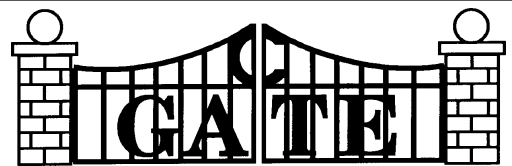
C-Gate Entry Systems
419-843-2990
Sales, Service & Installation
www.cgateentry.com

Mounting a Safety Bump Edge

Mount the safety edge transmitter on a cross piece or to the fabric on the gate near the edge. Route the edge wiring into the bottom of the safety edge transmitter. It's a good idea to silicone the point of entry into the transmitter.



Mount the gate catch where it will not damage the safety edge. Repeated contact between the safety edge and the gate catch will damage the safety edge.



C-Gate Entry Systems

419-843-2990

Sales, Service & Installation

www.cgateentry.com