

INSTALLATION INSTRUCTIONS: ARTICULATED ARM BG770 GATE OPERATORS

Parts Supplied

PART #	DESCRIPTION	QTY.	PART #	DESCRIPTION	QTY.
01-G0711	Installation Instructions	1	82-HN50-52	1/2-13 x 3-1/4"L Hex Bolt	1
07-8043	1" O.D. x 1/2" I.D. x 1-1/2"L Spacer	1	84-LH-50	1/2-13 Nylock Nut	1
10-8041	Hinge Plate	2	84-RH-50	1/2-13 Hex Nut	1
12-8041	3/4" O.D. x 3/8" I.D. x 7/8"L Spacer	2	84-RH-52	1/2-20 Hex Nut	2
12-8049	Female Rod End	2	84-WH-38	3/8-16 Serrated Hex Nut	5
82-HN38-20	3/8-16 x 1-1/2"L Hex Bolt	5	85-FW-50	1/2" Flatwasher	4
82-HN50-22	1/2-13 x 1-3/4"L Hex Bolt	1	85-LS-50	1/2" Lockwasher	3
65-1201-L	Lower Arm *	1	11-8045	Linkage Rod *	1
65-1202-L	Extension (Upper) Arm *	1			

* Supplied with "Articulated Wood Arm" Kit, part # 65-1210

* Not supplied with "Articulated Wood Arm Hardware Kit", part # 65-1210-K

Step 1

Drill 1/2" diameter hole 4-1/2" up from the center of the output shaft and 4-1/2" back from the center of the output shaft (see Figure 1 below).

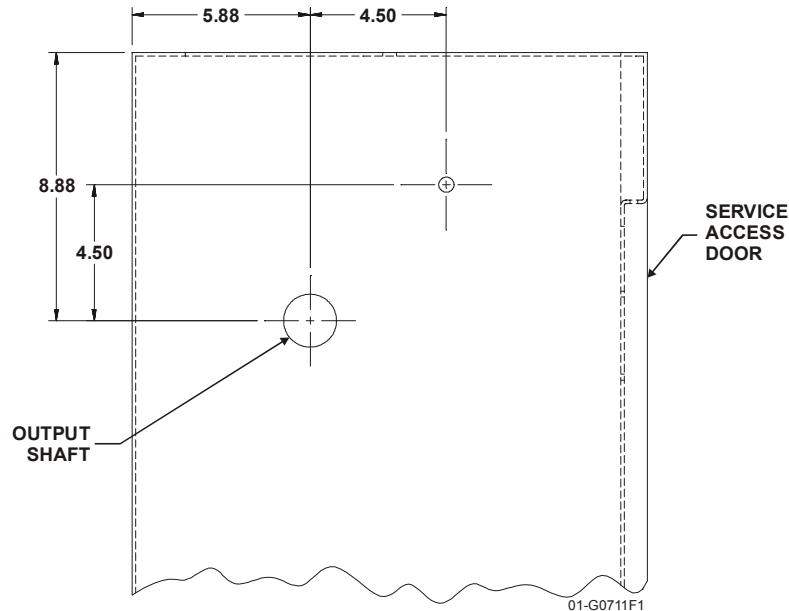


Figure 1

Step 2

Attach gate arm (lower) to arm hub flange as shown in Figure 2 below.

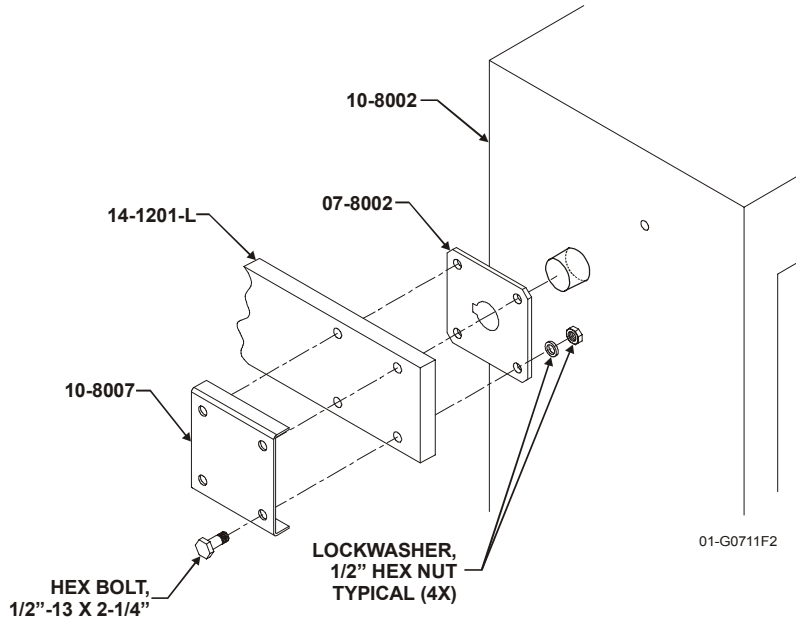


Figure 2

Step 3

Attach spacer and rod end to unit with hardware shown below in Figure 3.

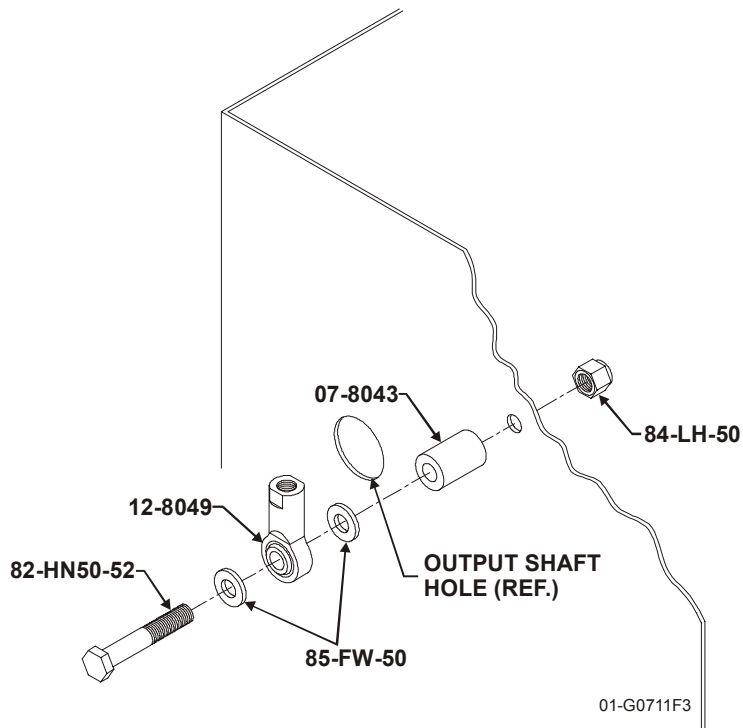


Figure 3

Step 4

Assemble hinge plate to lower and upper arms (as shown below in Figure 4).

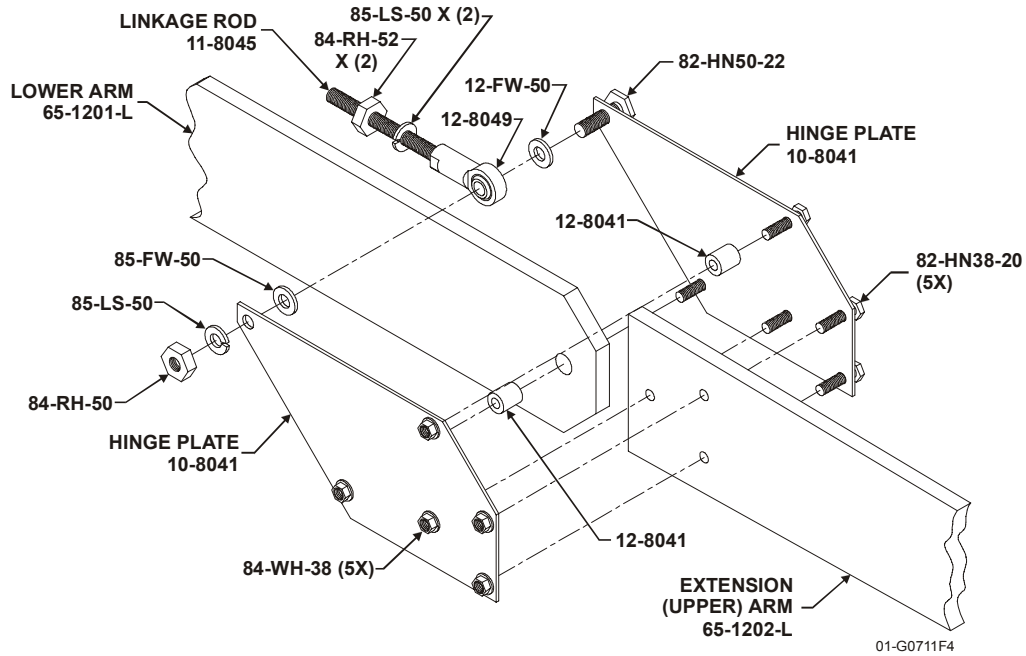


Figure 4

Step 5

Place 1/2-20 nut and 1/2" lockwasher on linkage rod by the unit and screw rod into rod end mounted on unit.

Step 6

If necessary, level the upper arm by turning the linkage rod.

CHAMBERLAIN®

LiftMaster®
PROFESSIONAL

COPYRIGHT © 2001
ALL RIGHTS RESERVED

This document is protected by copyright and may not be copied or adapted without the prior written consent of LiftMaster. This documentation contains information proprietary to LiftMaster and such information may not be distributed without the prior written consent of LiftMaster. The software and firmware included in the LiftMaster product as they relate to this documentation are also protected by copyright and contain information proprietary to LiftMaster.

FOR TECHNICAL SUPPORT

Call our toll free numbers:

(800) 323-2276

(800) 998-9197

Installation and service information is available six days a week.

TO ORDER REPAIR PARTS

Call our toll free numbers:

(800) 528-2806

(800) 998-9197

Prepare to provide the following information when ordering repair parts:

- **Part Number**
 - **Part Name**
 - **Model Number**
-
-